

## INSULATED STAINLESS STEEL HOT CABINET MODEL H-137-SUA-12DZ

### FEATURES AND BENEFITS:

- Fully insulated hot cabinet keeps prepared foods at serving temperatures.
- Powerful, yet efficient, 1500 Watt heating system maintains the right temperature to properly hold products. Heats up to 200°F (93°C).
- Standard solid state electronic control with large, clear, easy-to-read and operate LED digital display to ensure holding at precise food temperature
- Stainless steel and Lexan security panel protects controls.
- Internal frame in body maintains structural rigidity.
- Stainless steel construction throughout for ease of cleaning. One piece extended base protects cabinet body.
- Smooth interior coved corners prevent food particle/grease buildup.
- Field reversible insulated Dutch doors prevent temperature loss. Silicone door gaskets for proper seal.
- Standard with right hand hinging; left hand hinging available upon request. Doors swing 270° on 11 ga. stainless steel hinges.
- High temperature ceramic magnetic latches with key locks secure doors. Lock hasp provided.
- Recessed push/pull handles on both sides prevents damage to walls; allows easy maneuvering.
- Twelve sets of stainless steel universal angles accommodate a large variety of pan sizes, riveted on 4-1/2" centers.
- Heavy duty 5" swivel casters, two with brakes. Provides mobility when fully loaded.



H-137-SUA-12DZ

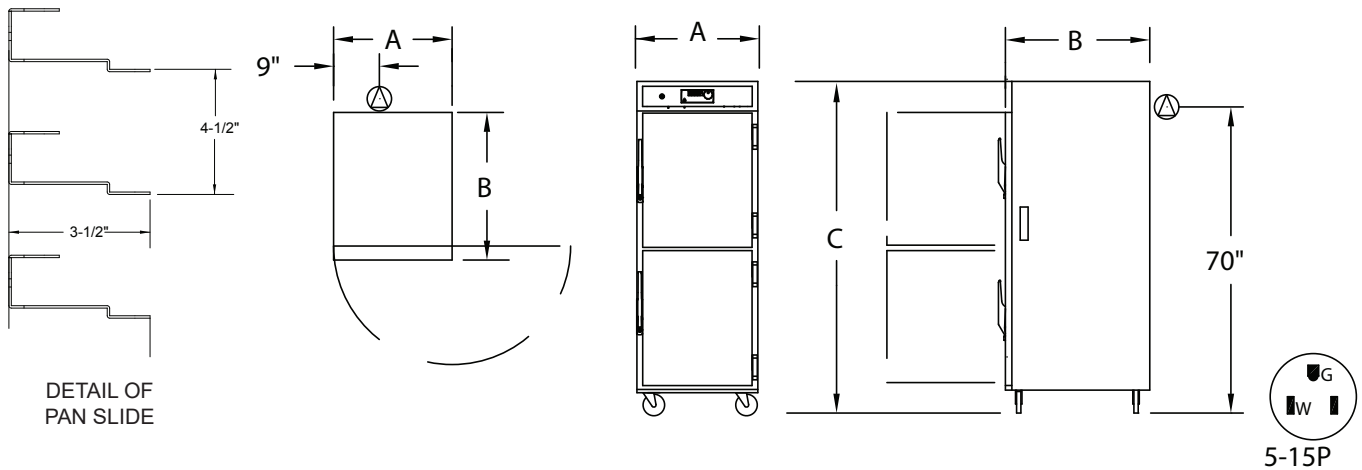


### ACCESSORIES and OPTIONS (Available at extra cost):

- Corner Bumpers
- Perimeter Bumper
- Various Caster Options
- 208 or 240 Volt Service
- Upgrade to 2000 Watt Power Unit

See page B-20 for accessory details.

# H-137-SUA-12DZ



CRES COR MODEL NO.	PAN			DIM "A"	DIM "B"	DIM "C"	INSIDE DIMENSIONS				WEIGHT ACT.
	CAP/ ANGLES	SIZE		WIDTH	DEPTH	HEIGHT	WIDTH	DEPTH	HEIGHT		
H-137-SUA-12DZ	12 SETS	SEE NOTE BELOW	IN	28-3/4	32-3/4	73	22	26-7/8	58	LBS	283
			MM	730	835	1855	560	685	1475	KG	128

NOTES: 1. Pan sizes 22" x 20" (560 x 510) Roast & Bake Pans, 10" x 20" (255 x 510) Roast & Bake Pans, 18" x 26" (460 x 660) Bun Pans, 14" x 18" (355 x 460) Service Trays, 12" x 20" (305 x 510) Steam Table Pans.  
Refer to Pan Size Chart at end of section.

2. When ordering bumpers, add 2" to overall dimensions.

ALL EXPOSED FASTENERS ARE TAMPER PROOF.

## CABINET:

- Body: 22 ga. stainless steel.
- Reinforcement: Internal framework of 18 ga. 304 stainless steel.
- Insulation: Fiberglass, thermal conductivity (K factor) is .23 at 75°F. 1-1/2" in doors, base top; 2" in sidewalls.
- Air tunnels: 22 ga. stainless steel; mounted on sides. Removable with special tools.
- Push/pull handles (2): 5" vertical; recessed.
- Interior coved corners.

## BASE:

- One piece construction, .125 aluminum.
- Casters: 5" dia., swivel, modulus tires, 1-1/4 wide, load cap. 250 lbs. each, temp. range -45/+180°F. Delrin bearings. Front casters equipped with brakes.

## DUTCH DOORS:

- Field reversible.
- Formed 22 ga. stainless steel.
- Latches: Chrome plated zinc, high temperature ceramic magnetic type with key lock handles.
- Hinges: 11 ga. stainless steel butt type; 270° swing.
- Gaskets: Perimeter type, silicone.
- Pan stops: Embossed.
- Lock Hasp

## PAN SLIDES:

- Angles: .060 stainless steel; riveted to posts on 4-1/2" centers.
- Removable with tools.

## HOT UNIT COMPONENTS:

- **Security Panel:** 18 ga. stainless steel with 3/16" polycarbonate window and key lock.
- **Thermostat:** Solid state digital display control, room ambient to 200°F (93°C).
- **Switch:** ON-OFF push button type.
- **Power cord:** Permanent, 10 ft., 14/3 ga.
- **Heater:** 1470 Watts.
- **Blower motor.**
- **Vent Fan.**
- **Thermometer:** Digital.

## POWER REQUIREMENTS:

- 1500 Watts, 120 Volts, 60 Hz., single phase, 12 Amps., 15 Amp. service.

## SHORT FORM SPECIFICATIONS

Cres Cor Correctional Insulated Hot Cabinet Model H-137-SUA-12DZ. Cabinet 22 ga. stainless steel; stainless steel internal frame. (12) sets stainless steel universal angles for multiple pan sizes on 4-1/2" centers. Field reversible Dutch doors, 22 ga. stainless steel.\* Fiberglass insulation in sides, 2"; doors, base, top 1-1/2". Interior coved corners. Hose out cleaning capability. 1500 Watt, 120 Volt power unit. One piece insulated base, .125 aluminum. 5" swivel modulus casters, Delrin bearings. Load capacity 250 lbs. each. 1-Year Parts / 90-Day Labor warranty. Provide the following accessories: \_\_\_\_\_ . NSF, CSA-US, CSA-C listed.  
\* All exposed fasteners are tamper proof.



5925 Heisley Road • Mentor, OH 44060-1833  
Phone: 877/CRESCOR • Fax: 440/350-7267  
www.crescor.com

© Crescent Metal Products, Inc. 2019 All rights reserved.

*In line with its policy to continually improve its products, CRES COR reserves the right to change materials and specifications without notice.*

Made in America Since 1936