

## INSULATED CHILLTEMP® CORRECTIONAL REFRIGERATED CABINET MODEL R-171-SUA-10E-Z

### FEATURES AND BENEFITS:

- Fully insulated mobile ChillTemp® refrigerated cabinet for holding food and beverages at serving temperature.
- Forced air system provides even distribution of cold air; cabinet maintains temperatures from 33°F (.5° C) to 40°F (4.5° C). Automatically defrosts.
- Hi efficiency compressor with automatic overload reset. Uses low GWP, environmentally-friendly refrigerant blend R513a, compatible with California regulations and available for sale in state.\*
- Stainless steel and locking Lexan security panel protects controls.
- Stainless steel construction throughout for ease of cleaning. One piece extended base protects cabinet body.
- Recessed push/pull handles on both sides prevent damage to walls; allows easy maneuvering.
- Insulated door with key lock latches prevent temperature loss. Magnetic door gaskets for proper seal.
- Standard with right hand hinging; left hand hinging available upon request. Door swings 270° on 11 ga. stainless steel hinges.
- Generous 18-cubic foot interior.
- Ten sets of stainless steel universal angles riveted to posts to accommodate 18 x 26" or 12 x 20" pans.
- Heavy duty 5" swivel casters, two with brakes. Provides mobility when fully loaded.



R-171-SUA-10E-Z

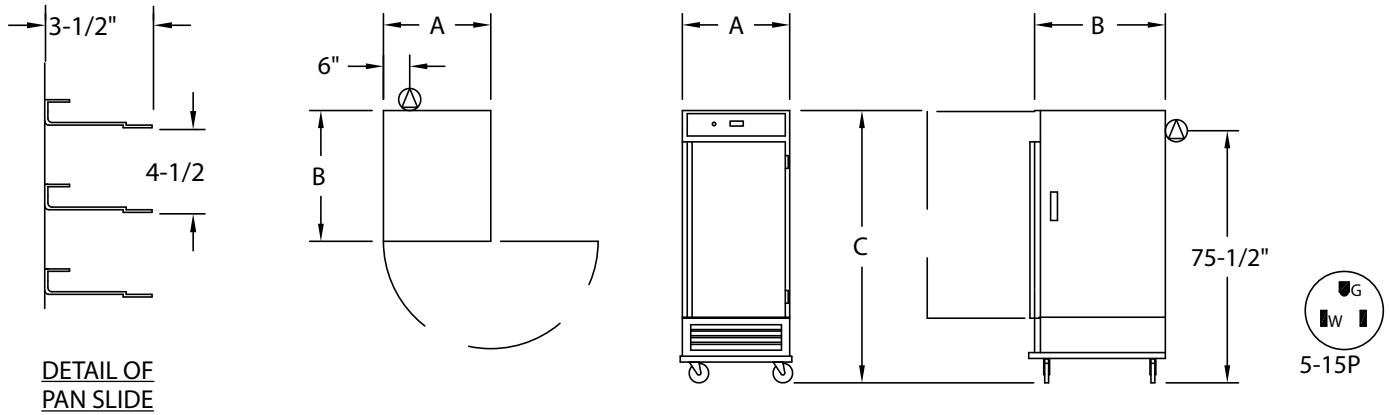


### ACCESSORIES and OPTIONS (Available at extra cost):

- Corner Bumpers
  - Polyurethane Casters
  - 240 Volt Service
  - Digital Thermometer
  - Interior for (28) 18" x 26" pans
- See page K-2 for accessory details.

\* Products manufactured after 8/1/2019 use R513a, products manufactured before 8/1/2019 use R134a

# R-171-SUA-10E-Z



DETAIL OF  
PAN SLIDE

CRES COR MODEL NO.	PAN			DIM "A"	DIM "B"	DIM "C"	INSIDE DIMENSIONS			WEIGHT ACT.	
	CAP/ ANGLES	SIZE		WIDTH	DEPTH	HEIGHT	WIDTH	DEPTH	HEIGHT		
R-171-SUA-10Z	10	18 X 26	IN	28-5/16	37-3/8	76	23-1/2	29-3/4	47-3/8	LBS	375
			MM	719	949	1929	597	755	1203	KG	171
	20	12 X 20									

NOTES: 1. When ordering bumpers, add 2" to overall dimensions.  
ALL EXPOSED FASTENERS ARE TAMPER PROOF.

## CABINET:

- Body: 22 ga. stainless steel.
- Reinforcement: Internal framework of 16 ga. stainless steel.
- Insulation: Fiberglass, thermal conductivity (K factor) is .23 at 75°F. 1-1/2" in doors, base, top; 2" in sidewalls.
- Push/pull handles (2): 5" vertical; recessed.
- Interior coved corners.

## BASE:

- One piece construction, .125 aluminum.
- Casters: 5" dia., swivel, modulus tires, 1-1/4 wide, load cap. 250 lbs. each, temp. range -45°/+180°F. Delrin bearings. Front casters equipped with brakes.

## DOOR:

- Field reversible.
- Formed 22 ga. stainless steel.
- Latch: Chrome plated zinc; magnetic type with key lock handles.
- Hinges: 11 ga. stainless steel.
- Gasket: Perimeter type, magnetic Santoprene.
- Pan stop: Embossed.

## PAN SLIDES:

- 16 ga. stainless steel universal angles riveted to posts on 4-1/2" centers.
- Removable with tools.

## ELECTRICAL COMPONENTS:

- **Security Panel:** 18 ga. stainless steel with 3/16" polycarbonate window and key lock.
- Digital Thermostat: Pre-set to 38°F (3.3°C).
- Pilot light.
- Power switch.
- Power cord: Permanent, 10 ft., 14/3 ga. with molded plug.
- Compressor: 1/3 h.p.
- Condensate evaporator: Electrical.
- R513a refrigerant (after 8/1/2019); R134a refrigerant (before 8/1/2019).

## POWER REQUIREMENTS:

- 120 Volts, 60 Hz., single phase, 15 Amp. service.

## SHORT FORM SPECIFICATIONS

Cres Cor Correctional Refrigerated Cabinet Model R-171-SUA-10E-Z. Cabinet 22 ga. stainless steel; stainless steel internal frame. (10) sets of stainless steel universal angles for multiple pan sizes on 4-1/2" centers. Field reversible door, 22 ga. stainless steel. All exposed fasteners are tamper proof. Foam insulation in sides and doors. Interior coved corners. 1/3 h.p. compressor, 120 Volts. One piece insulated base, .125 aluminum. 5" swivel casters, Delrin bearings. Load capacity 250 lbs. each. 1-Year Parts / 90-Day Labor warranty. Provide the following accessories: \_\_\_\_\_ CSA-US/C, CSA to NSF7 listed.



5925 Heisley Road • Mentor, OH 44060-1833  
Phone: 877/CRESCOR • Fax: 440/350-7267  
www.crescor.com

© Crescent Metal Products, Inc. 2018 All rights reserved.

*In line with its policy to continually improve its products, CRES COR reserves the right to change materials and specifications without notice.*

Made in America Since 1936